

# ROUGH COUNTRY

## SUSPENSION SYSTEMS®

Thank you for choosing Rough Country for your truck accessory needs.

**▲ NOTICE** Rough Country Lights are intended for off road use only.

Rough Country recommends a certified technician install this system. In addition to these instructions, professional knowledge of disassembly/reassembly procedures as well as post installation checks must be known. Attempts to install this system without this knowledge and expertise may jeopardize the integrity and/or operating safety of the vehicle.

**▲ NOTICE** Please read instructions before beginning installation. Check the kit hardware against the parts list on this page and the product layout on the last page. Be sure you have all needed parts and know where they go. Also please review tools needed list and make sure you have needed tools. **INSTALLATION MAY INTERFERE WITH FRONT MOUNTED SENSORS. NOT RECOMMENDED FOR VEHICLES WITH OPTIONAL "ACTIVE" LASER GUIDED CRUISE CONTROL SYSTEMS.**

### Installation Instructions

1. Place light in between light mount on inside of bull bar. **See Photo 1.**
2. Using supplied hardware and Allen wrench, center light and tighten. **See Photo 2.**



Photo 1



Photo 2

3. Locate an appropriate location in the vehicle for the switch mounting.
4. Route the wiring harness to the mounting location. *Do not secure at this time.* The wiring will be zip-tied after the lights are installed and adjusted to ensure the wiring can reach the lights. **Beware of sharp edges, abrasive surfaces and heat sources. Re-route wiring as needed. Make sure when mounting the relay, attach in a dry area where the wires coming out of the relay are facing down.**
5. After the light is mounted, the wiring harness simply plugs into the light pigtail. Take care not to damage the wires.
6. Attach the red terminal to the Positive(+) side of the battery, or any 12V DC source.
7. Secure the black terminal to a suitable ground, or the Negative (-) side of the battery. Some lights have multiple positive and negative wires.
8. Secure any part of the wiring harness away from hazards using zip-ties.

**Note: It may be necessary to remove/relocate the front license plate and license plate bracket. It is not required for installation but is strongly recommended. If local/state law requires a front license plate, a license plate relocation kit is available.**

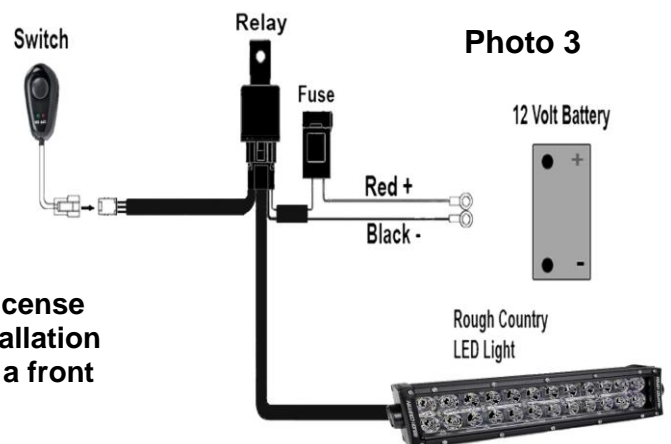
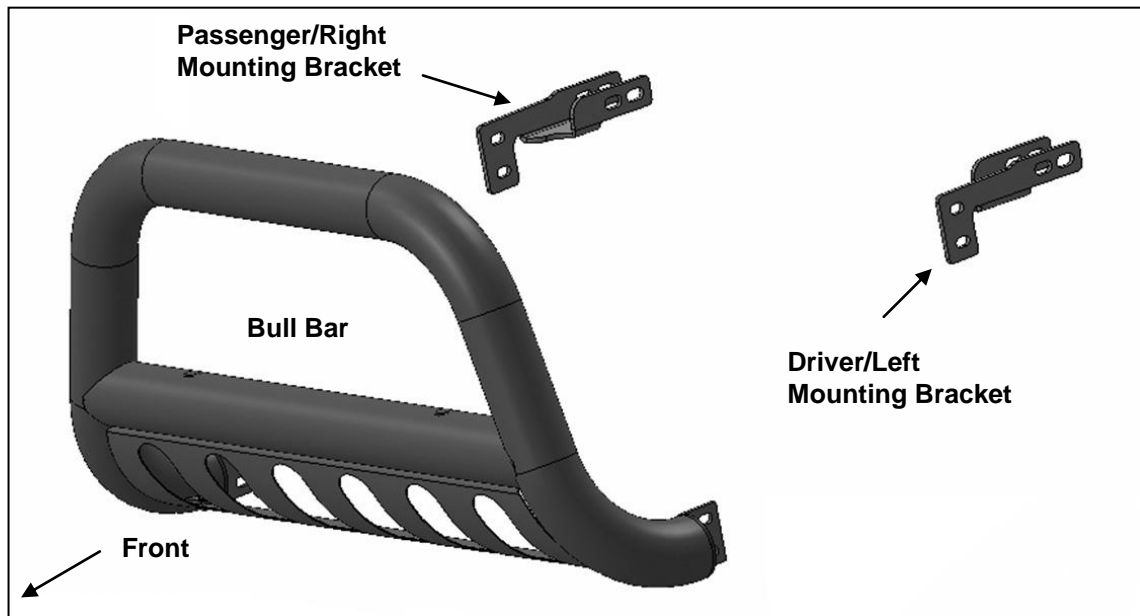


Photo 3

Qty	Description	Qty	Description
1	3in Bull Bar	4	8-35mm Hex Bolts
1	Driver/left Mounting Bracket	4	8mm x 22mm OD x 2.2mm Flat Washers
1	Passenger/right Mounting Bracket	4	8mm-Lock Washer
1	Driver/Left Frame Mounting Bracket	1	20" Single Row LED Light Bar
1	Passenger/Right Frame Mounting Bracket	2	D8 Lock Washer(Light Bar)
4	12-1.75mm x 80mm Hex Bolts	2	8mmx24mmx2mm Large Flat Washer(Light Bar)
8	12mm x 24mm OD x 2.5mm Flat Washers	2	8mm_16mm Hex Bolt(Full Thread) (Light Bar)
4	12-1.75mm Nylon Lock Nuts	1	License Plate Mounting Bracket
4	10-1.5mm x 30mm Hex Bolts	2	6mm Hex Nut(License Plate)
8	10mm x 24mm OD x 2.2mm Flat Washers	2	D6 Flat Washer(License Plate)
4	10-1.75mm Nylon Lock Nuts	4	Assembly For M6 Button Head Screw/ M6 Lock Washer/M6 Flat Washer(License Plate)



#### PROCEDURE:

**REMOVE CONTENTS FROM BOX AND VERIFY ALL PARTS ARE PRESENT. READ INSTRUCTIONS CAREFULLY. CUTTING MAY BE REQUIRED. INSTALLATION MAY INTERFERE WITH FRONT MOUNTED SENSORS. NOTE:** It may be necessary to remove/relocate front license plate and license plate bracket. It is not required, but strongly recommended. If local/state law requires a front license plate, license plate relocation kit is available.

1. Start installation from under the front of the vehicle. Remove the plastic splash guard from below-behind bumper, **(Figure 1)**. Determine if the vehicle is equipped with tow hooks. **IMPORTANT:** Tow hooks cannot be reinstalled with the Bull Bar. Also, it may be necessary to temporarily remove the factory skid plate, (if equipped), to access the mounting locations.

#### **Tow Hook equipped vehicles:**

- a. Remove the driver side tow hook and hardware from the end of the frame channel, **(Figures 2 & 3)**. Also remove the seal between the opening in the bumper and the tow hook, **(Figure 4)**.
- b. Repeat to remove the passenger side tow hook.
- c. Proceed to **Step 2**.

#### **Vehicles without tow hooks:**

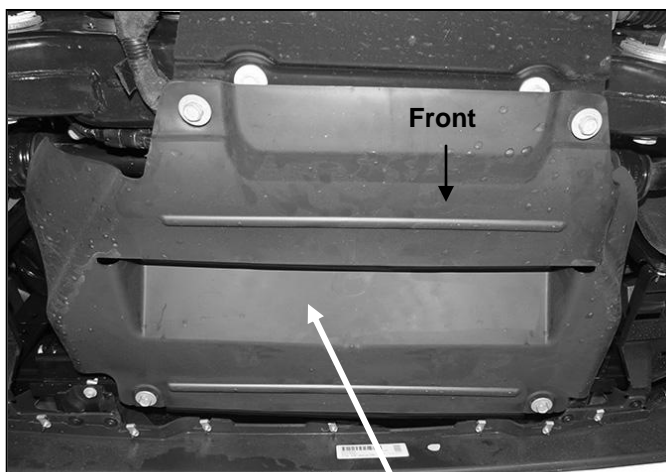
- a. Cut out the indented area in both sides of the plastic bumper to clear the Brackets as pictured, **(Figures 4 & 5)**. **IMPORTANT:** Make several small cuts for best fit. **OPTION:** Cut around the Bracket as indicated, **(Figure 5)**, or cut along the rectangular cut line molded into the pocket.

2. Select the driver side Mounting Bracket. Insert the Bracket through the opening in the bumper and up to the tow hook mounting holes, **(Figures 7 & 8)**. Trim the plastic as required Bracket clearance.
3. Line up the (2) holes in the Bracket with the (2) holes in the frame for the tow hook. Select (2) 12mm x 80mm Long Hex Bolts and (2) 12mm Flat Washers, **(Figure 8)**. Insert the Bolts with Washers through the Bracket and the (2) holes through the frame, **(Figure 7)**. Secure with (2) 12mm Flat Washers and (2) 12mm Nylon Lock Nuts. Do not fully tighten hardware at this time.
4. Repeat **Steps 2 & 3** to install the passenger side Mounting Bracket.
5. With assistance, hold the Bull Bar up in position on the outside of the Mounting Brackets. Bolt the Bull Bar to the Brackets with (4) 10mm x 30mm Hex Bolts, (8) 10mm Flat Washers and (4) 10mm Nylon Lock Nuts, **(Figure 9)**. Do not tighten hardware at this time.
6. Check the Bull Bar alignment with the vehicle and for clearance between the Bull Bar and the bumper. Adjust as required then fully tighten all hardware at this time.
7. Reinstall the plastic splash guard or skid plate removed in **Step 1, (Figure 1)**.
8. Do periodic inspections to the installation to make sure that all hardware is secure and tight.

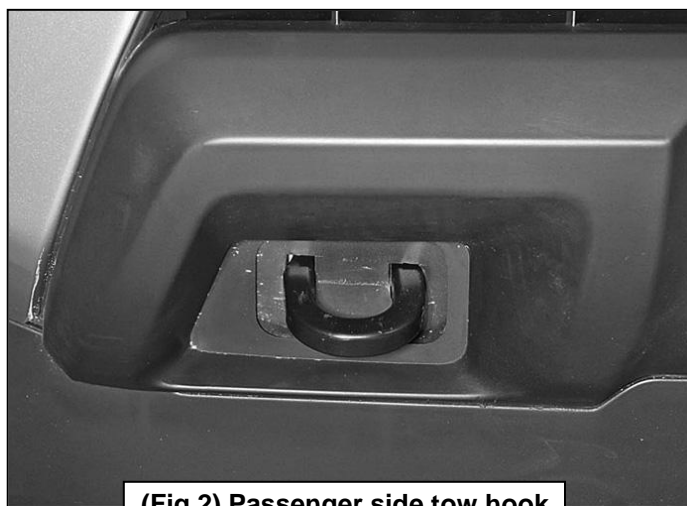
**To protect your investment**, wax this product after installing. Regular waxing is recommended to add a protective layer over the finish. Do not use any type of polish or wax that may contain abrasives that could damage the finish.

**For stainless steel:** Aluminum polish may be used to polish small scratches and scuffs on the finish. Mild soap may be used also to clean the Bull Bar.

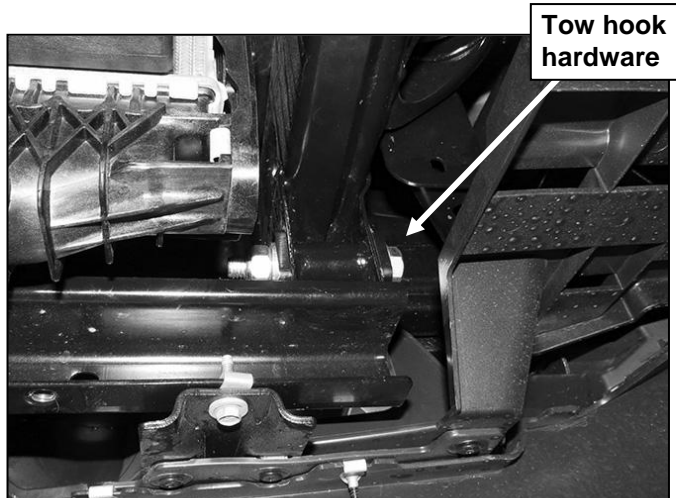
**For gloss black finishes:** Mild soap may be used to clean the Bull Bar.



**(Fig 1) Remove splash guard or skid plate from bottom of engine behind bumper if necessary**



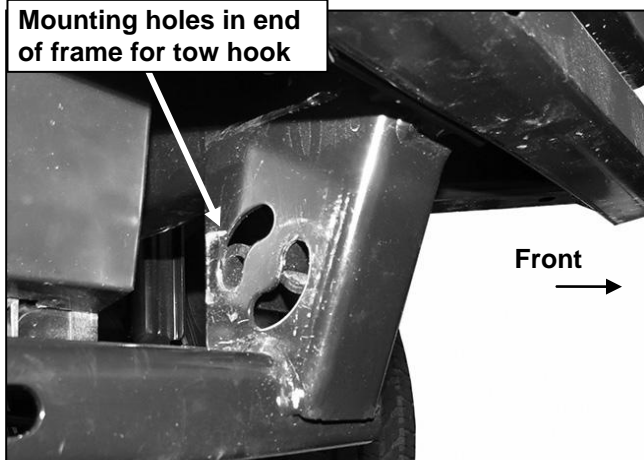
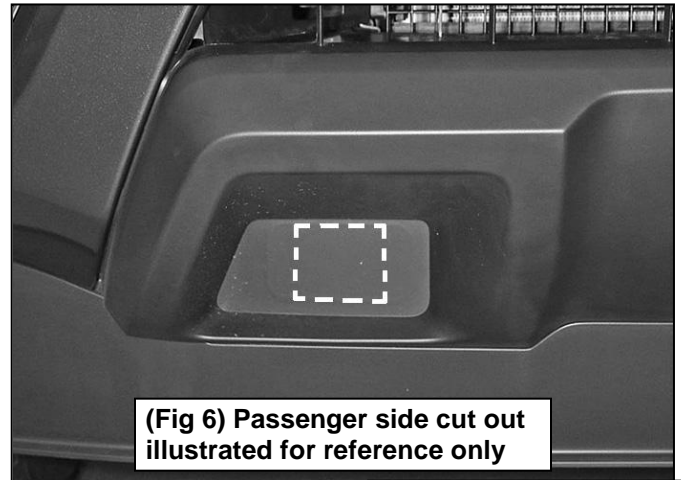
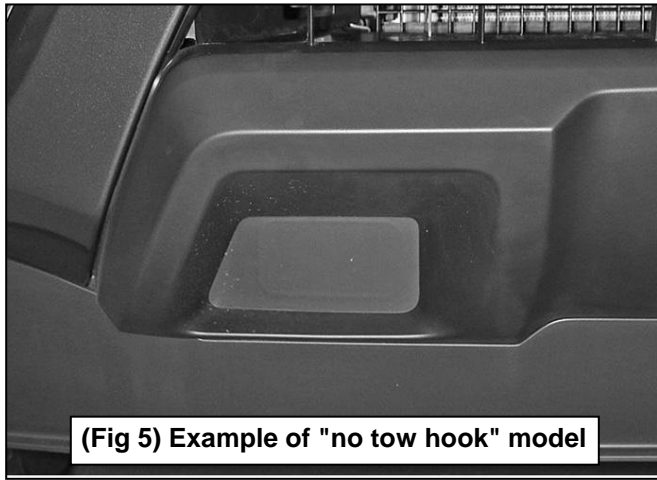
**(Fig 2) Passenger side tow hook**



**(Fig 3) Passenger side pictured from behind bumper**



**(Fig 4) Driver side mounting location**



(Fig 7) Driver side pictured without bumper for instruction purposes only. Do not remove bumper

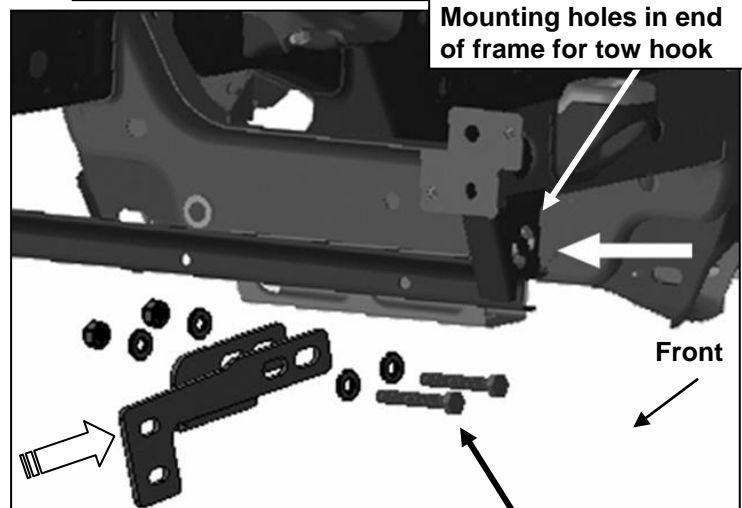


Fig 8

(2) 12mm x 80mm Hex Bolts  
(4) 12mm Flat Washers  
(2) 12mm Nylon Lock Nuts

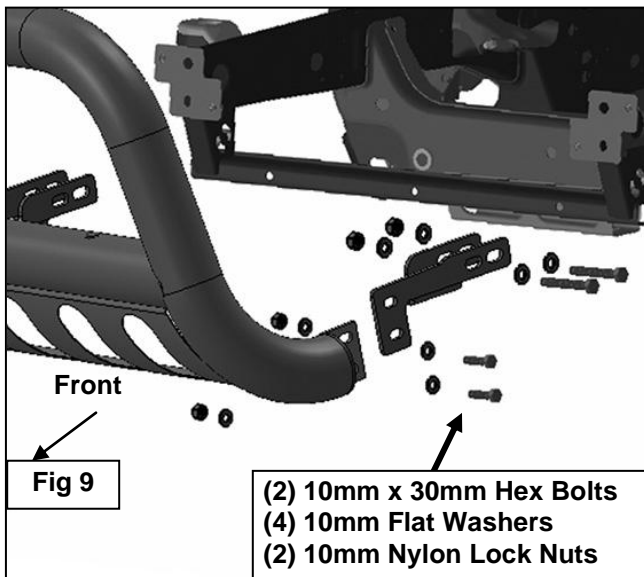


Fig 9

(2) 10mm x 30mm Hex Bolts  
(4) 10mm Flat Washers  
(2) 10mm Nylon Lock Nuts

By purchasing any item sold by Rough Country, LLC, the buyer expressly warrants that he/she is in compliance with all applicable, State, and Local laws and regulations regarding the purchase, ownership, and use of the item. It shall be the buyer's responsibility to comply with all Federal, State and Local laws governing the sales of any items listed, illustrated or sold. The buyer expressly agrees to indemnify and hold harmless Rough Country, LLC for all claims resulting directly or indirectly from the purchase, ownership, or use of the items.